

客戶名稱 :
CUSTOMER

奇 尚

Doc No.: _____
Rev.: P0 _____

承 認 書

APPROVAL SHEET

產品品名/Product Model No. : LA1575MK4G-169-11M
(L038)
發行日期/ Issue Date : 2009 - 11 - 03
承認日期/ Approved Date :

Approved by customer: (signing or stamping here)



禾邦電子(蘇州)有限公司

INPAQ TECHNOLOGY(SuZhou) Co.,Ltd

- 蘇州市相城區黃埭鎮潘陽工業園區中心大道5號
- 苗栗縣竹南鎮大厝裏9鄰59-12號

No.5,zhongxin Road, PanYang
industrial Park,HuangDai
town,XiangCheng district ,Suzhou
City

No. 59-12, 9 Lin, Ta Tsuo Li,
Chu Nan Chen, Miao Li Hsien,
Taiwan, R.O.C.

LA1575MK4G-169-11M

Engineering Specification

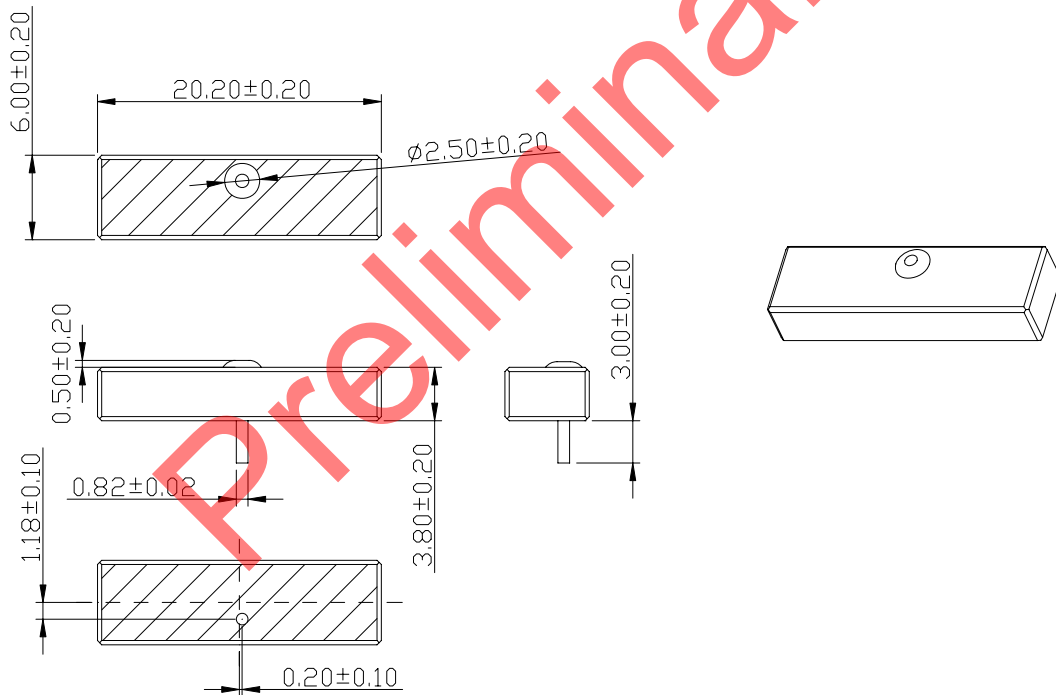
1. Typical Electrical Properties

Characteristics	Specification	Unit	Conditions
Patch Center Frequency	1618.2 ± 2	MHz	By Test Ground Plane
S11	< -20	dB	By Test Ground Plane
Polarization	LP		
Frequency Temperature Coefficient	0±20	ppm/°C	-40°C to +85°C

LA1575MK4G-169-11M , G : Green parts (RoHS compliance)

-169are the code of project number, - 11M show of appendix

2. Dimension



UNLESS OTHER SPECIFIED TOLERANCES ON :

X=± X.X=± X.XX=± 0.1

ANGLES=±

HOLEDIA=±



INPAQ TECHNOLOGY CO., LTD.

SCALE :

UNIT : mm

DRAWN BY:张建新

CHECKED BY:范炼

DESIGNED BY:张磊

APPROVED BY:范炼

THIS DRAWINGS AND SPECIFICATIONS ARE THE PROPERTY OF INPAQ TECHNOLOGY CO.,LTD.AND SHALL NOT BE REPRODUCED OR USED AS THE BASIS FOR THE MANUFACTURE OR SALE OF APPARATUS OR DEVICES WITHOUT PERMISSION

TITLE : LA1575MK4G-169-11M

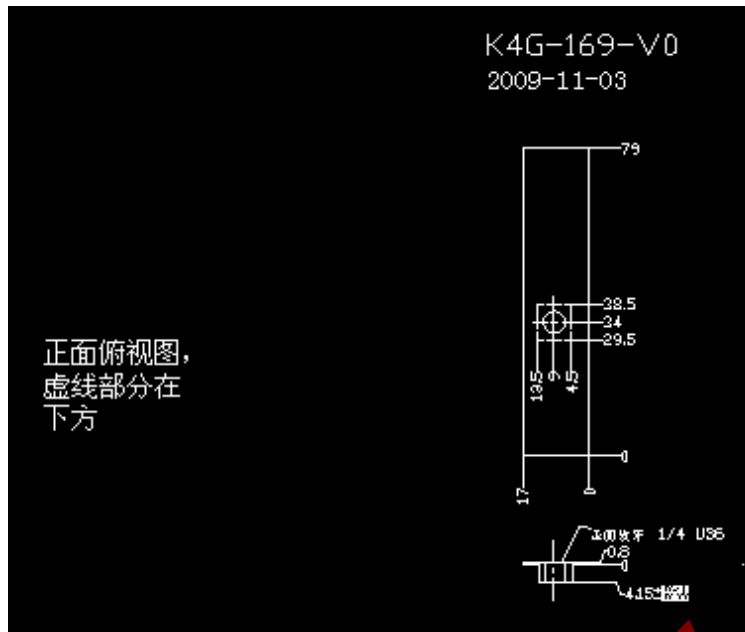
Engineering Specification

DOCUMENT NO.

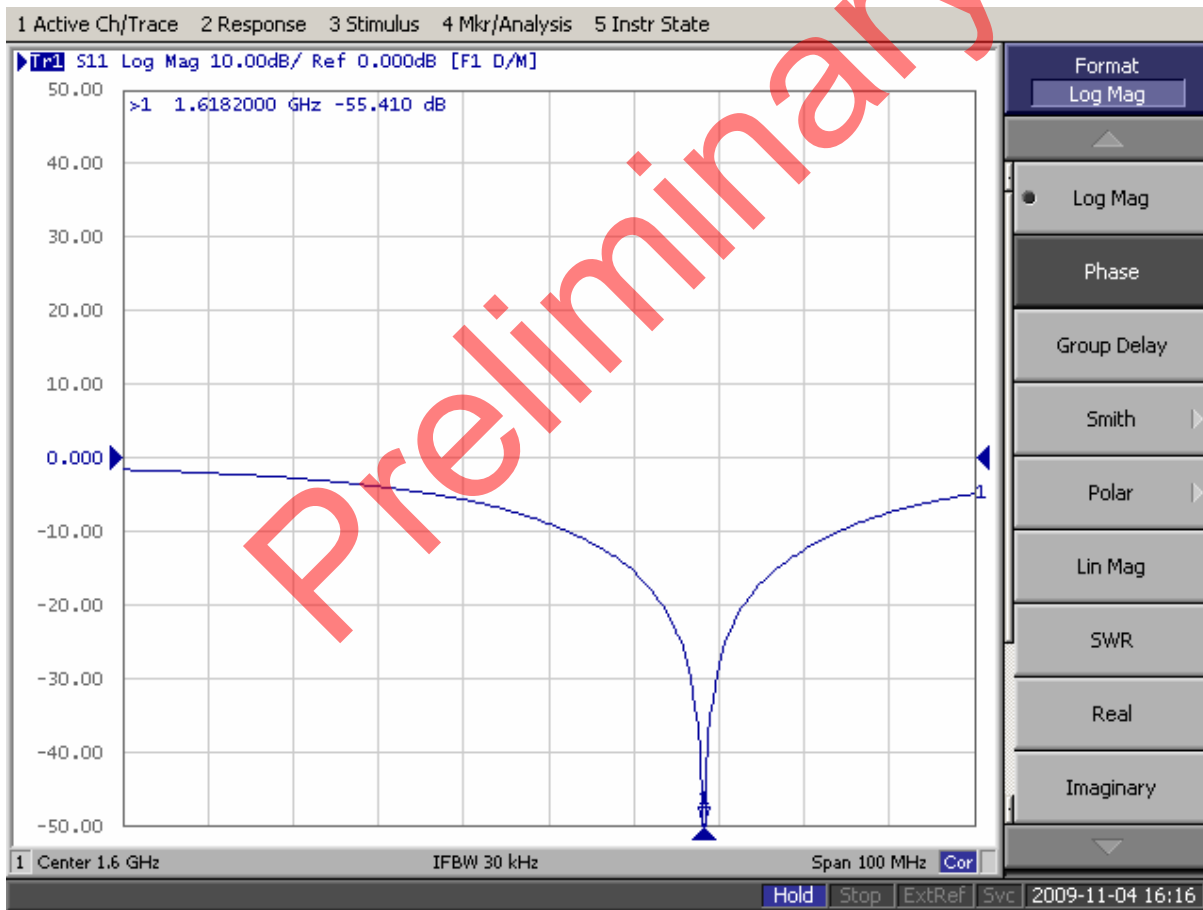
PAGE REV.

P0

3. Test Condition Ground Plane (奇尚 L038)



4. Return Loss Characteristics



UNLESS OTHER SPECIFIED TOLERANCES ON :

X=± X.X=± X.XX=± 0.1

ANGLES=± HOLEDIA=±

SCALE : UNIT : mm

DRAWN BY:张建新 CHECKED BY:范炼

DESIGNED BY:张磊 APPROVED BY:范炼

TITLE : LA1575MK4G-169-11M
Engineering Specification

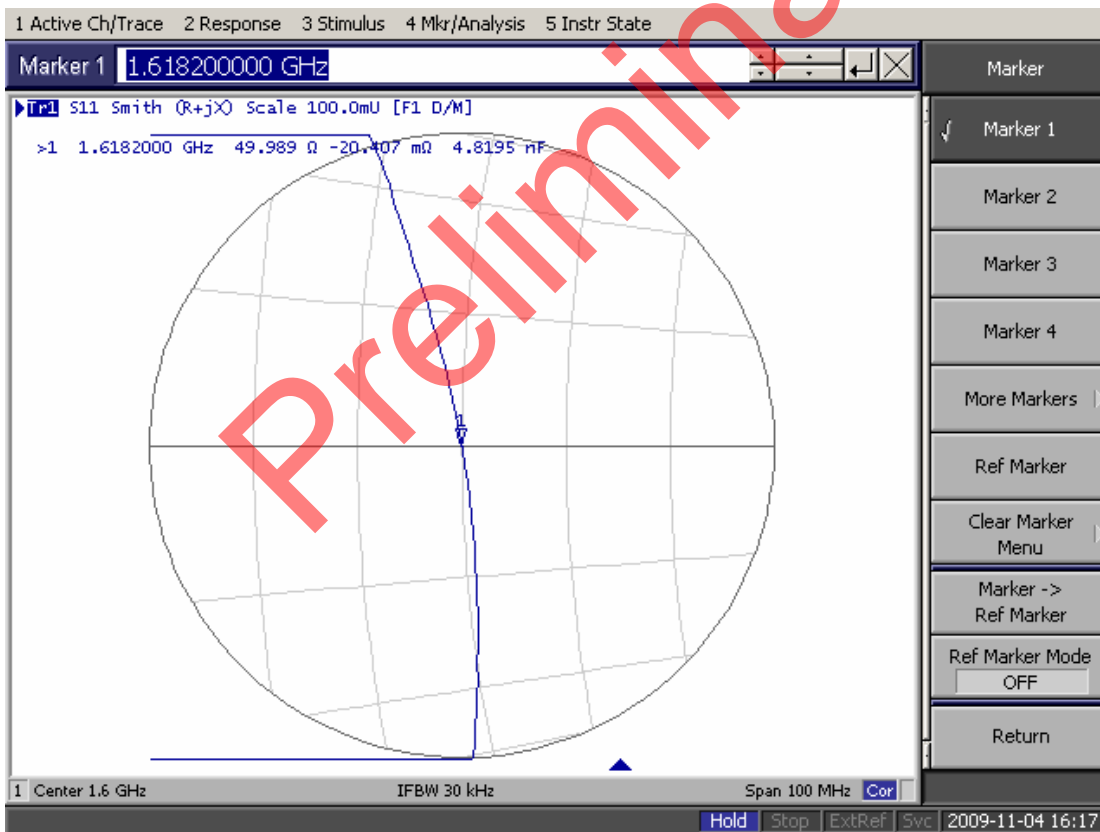
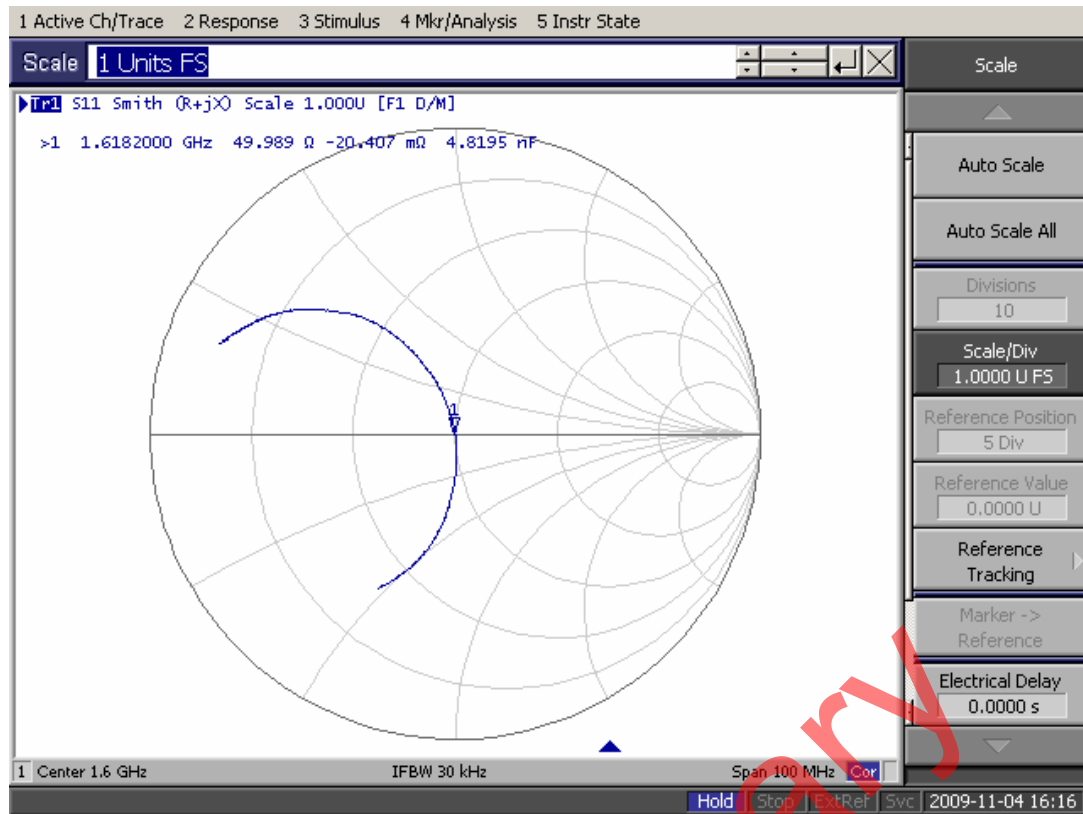


INPAQ TECHNOLOGY CO., LTD.

THIS DRAWINGS AND SPECIFICATIONS ARE THE PROPERTY OF INPAQ TECHNOLOGY CO.,LTD.AND SHALL NOT BE REPRODUCED OR USED AS THE BASIS FOR THE MANUFACTURE OR SALE OF APPARATUS OR DEVICES WITHOUT PERMISSION

DOCUMENT NO.	PAGE REV.
	P0

5. Measured Input Impedance on a Smith Chart



UNLESS OTHER SPECIFIED TOLERANCES ON :

X=± X.X=± X.XX=± 0.1

ANGLES=± HOLEDIA=±

SCALE : UNIT : mm

DRAWN BY:张建新 CHECKED BY:范炼

DESIGNED BY:张磊 APPROVED BY:范炼

TITLE : LA1575MK4G-169-11M
Engineering Specification



INPAQ TECHNOLOGY CO., LTD.

THIS DRAWINGS AND SPECIFICATIONS ARE THE PROPERTY OF INPAQ TECHNOLOGY CO.,LTD.AND SHALL NOT BE REPRODUCED OR USED AS THE BASIS FOR THE MANUFACTURE OR SALE OF APPARATUS OR DEVICES WITHOUT PERMISSION

DOCUMENT
NO.

PAGE REV.
P0

6. Explanation of Appendix

LA1575MK4G-169-11M

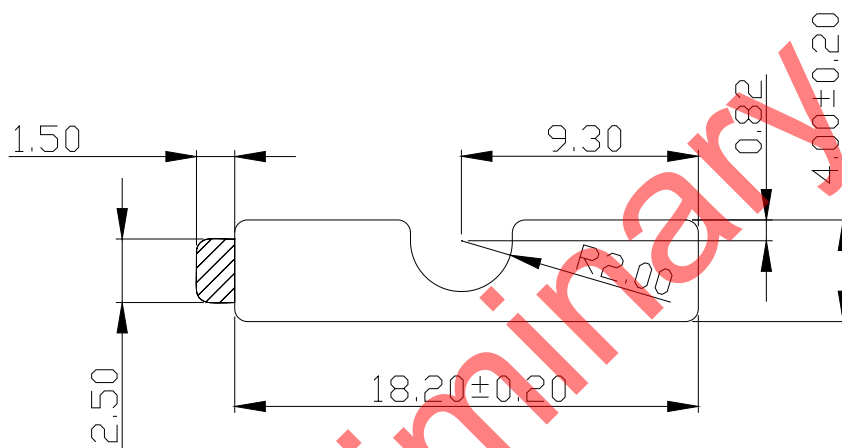
(1)(2)(3)

(1) 1=3.0mm pin Length

(2) Adhesive Tape 1 18.2×4mm

Adhesive Transfer Tape Specification

- 2.1 Thickness : 0.16 ± 5% mm
- 2.2 Release Liner : 0.1mm (typ.) printed paper or paper
- 2.3 Dimension : mm

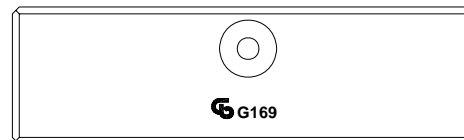


(3) Option appendix M Marking

Marking configuration

- 3.1 Logo G for INPAQ Logo
- 3.2 Type G for green product antenna
- 3.3 Three digits are the code of our project number

169



patch top electrode

UNLESS OTHER SPECIFIED TOLERANCES ON : X=± X.X=± X.XX=± 0.1 ANGLES=± HOLEDIA=±		 INPAQ TECHNOLOGY CO., LTD.	
SCALE :	UNIT : mm	THIS DRAWINGS AND SPECIFICATIONS ARE THE PROPERTY OF INPAQ TECHNOLOGY CO.,LTD.AND SHALL NOT BE REPRODUCED OR USED AS THE BASIS FOR THE MANUFACTURE OR SALE OF APPARATUS OR DEVICES WITHOUT PERMISSION	
DRAWN BY:张建新	CHECKED BY:范炼		
DESIGNED BY:张磊	APPROVED BY:范炼		
TITLE : LA1575MK4G-169-11M Engineering Specification		DOCUMENT NO.	PAGE REV. P0